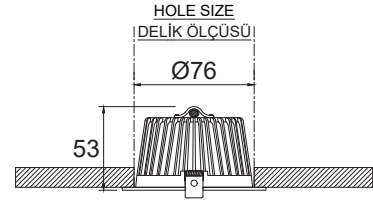
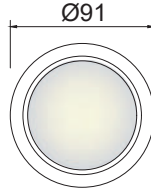


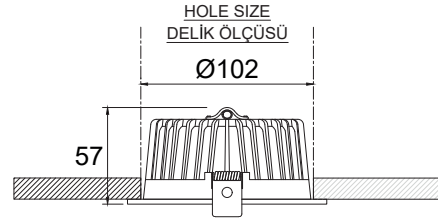
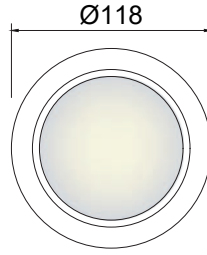
novalux®
LIGHTING



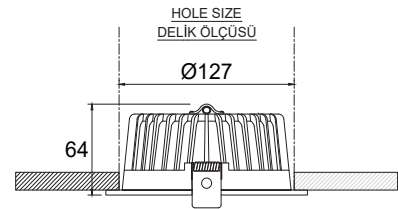
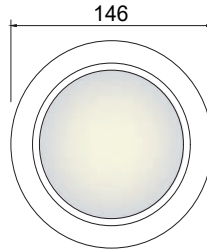
novalux.com.tr



Code	Lumen lm	Kelvin K	Watt W	CRI	IP	V/Hz	Size(mm) Dış çap	Hole size (mm) Delik ölçüsü	Installation depth Montaj derinliği
DW.ID.3.30	700	3000	5	Ra>80	20-44	220-240 50/60	Ø 91mm	Ø 76mm	Min. 75mm
DW.ID.3.40	763	4000	5	Ra>80	20-44				



Code	Lumen lm	Kelvin K	Watt W	CRI	IP	V/Hz	Size(mm) Dış çap	Hole size (mm) Delik ölçüsü	Installation depth Montaj derinliği
DW.ID.4.30	1000	3000	8.75	Ra>80	20-44	220-240 50/60	Ø 118mm	Ø 102mm	Min. 80mm
DW.ID.4.40	1090	4000	8.75	Ra>80	20-44				

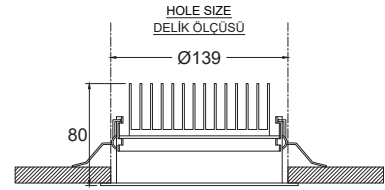
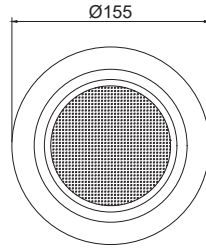


Code	Lumen lm	Kelvin K	Watt W	CRI	IP	V/Hz	Size(mm) Dış çap	Hole size (mm) Delik ölçüsü	Installation depth Montaj derinliği
DW.ID.5.30	2000	3000	16	Ra>80	20-44	220-240 50/60	Ø 146mm	Ø 127mm	Min. 85mm
DW.ID.5.40	2150	4000	16	Ra>80	20-44				

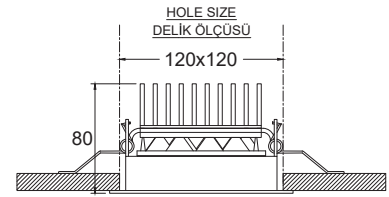
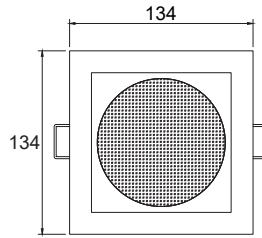


Sıva Altı Spot

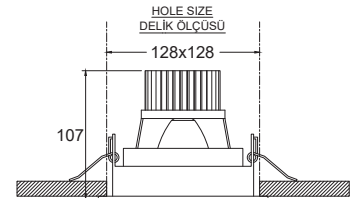
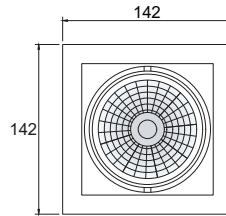
Recessed Spotlights



Code	Lumen lm	Kelvin K	Watt W	CRI	IP	V/Hz	Size(mm) Dış çap	Hole size (mm) Delik ölçüsü	Installation depth Montaj derinliği
SP.SA.155.30	2331	3000	20	Ra>80	20	220-240 50/60	Ø 155mm	Ø 139mm	Min. 100mm
SP.SA.155.40	2736	4000	20	Ra>80	20				



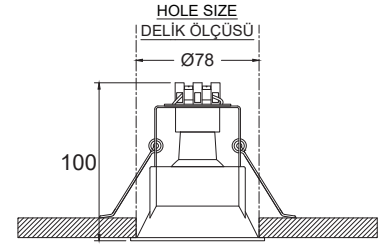
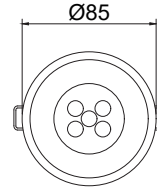
Code	Lumen lm	Kelvin K	Watt W	CRI	IP	V/Hz	Size(mm) Dış çap	Hole size (mm) Delik ölçüsü	Installation depth Montaj derinliği
SP.SA.134.134.30	2331	3000	20	Ra>80	20	220-240 50/60	134x134mm	120x120mm	Min. 100mm
SP.SA.134.134.40	2736	4000	20	Ra>80	20				



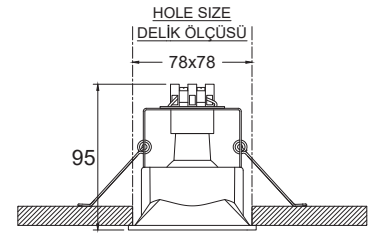
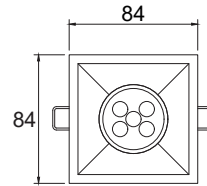
Code	Lumen lm	Kelvin K	Watt W	Beam angle β	CRI	IP	V/Hz	Size(mm) Dış çap	Hole size (mm) Delik ölçüsü	Installation depth Montaj derinliği
SP.SA.142.142.30	2240	3000	17	24°/36°/45°	Ra>80	20	220-240 50/60	142x142mm	128x128mm	Min. 130mm
SP.SA.142.142.40	2310	4000	17	24°/36°/45°	Ra>80	20				

Sıva Altı Spot

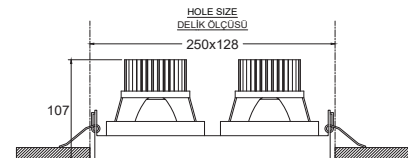
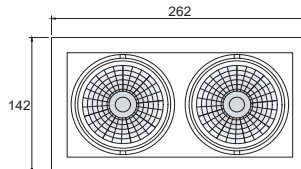
Recessed Spotlights



Code	Lumen lm	Kelvin K	Watt W	Beam angle β	CRI	IP	V/Hz	Size(mm) Dış çap	Hole size (mm) Delik ölçüsü	Installation depth Montaj derinliği
SP.SA.85.27	350	2700	5	36°	Ra>80	20	220-240 50/60	Ø 85mm	Ø 78mm	Min. 110mm
SP.SA.85.30	350	3000	5	36°	Ra>80	20				



Code	Lumen lm	Kelvin K	Watt W	Beam angle β	CRI	IP	V/Hz	Size(mm) Dış çap	Hole size (mm) Delik ölçüsü	Installation depth Montaj derinliği
SP.SA.84.84.27	350	2700	5	36°	Ra>80	20	220-240 50/60	84x84mm	78x78mm	Min. 110mm
SP.SA.84.84.30	350	3000	5	36°	Ra>80	20				



Code	Lumen lm	Kelvin K	Watt W	Beam angle β	CRI	IP	V/Hz	Size(mm) Dış çap	Hole size (mm) Delik ölçüsü	Installation depth Montaj derinliği
SP.SA.142.262.30	2x2240	3000	2x17	24°/36°/45°	Ra>85	20	220-240 50/60	142X262mm	128x250mm	Min. 130mm
SP.SA.142.262.40	2x2310	4000	2x17	24°/36°/45°	Ra>85	20				



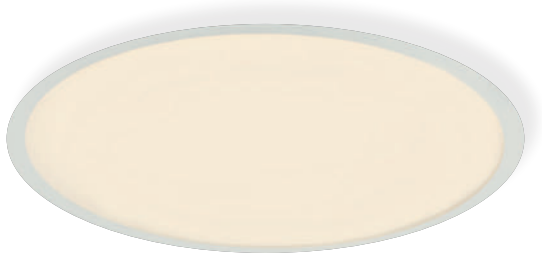
The logo for NIDAPARK KAYAŞEHİR is mounted on a dark, vertically-grained wall. It features a stylized graphic of a city skyline composed of horizontal bars of varying heights, positioned above the text. The text 'NIDAPARK' is in a large, bold, sans-serif font, and 'KAYAŞEHİR' is in a smaller, similar font below it. Two horizontal lines flank the text on either side.

NIDAPARK
— KAYAŞEHİR —

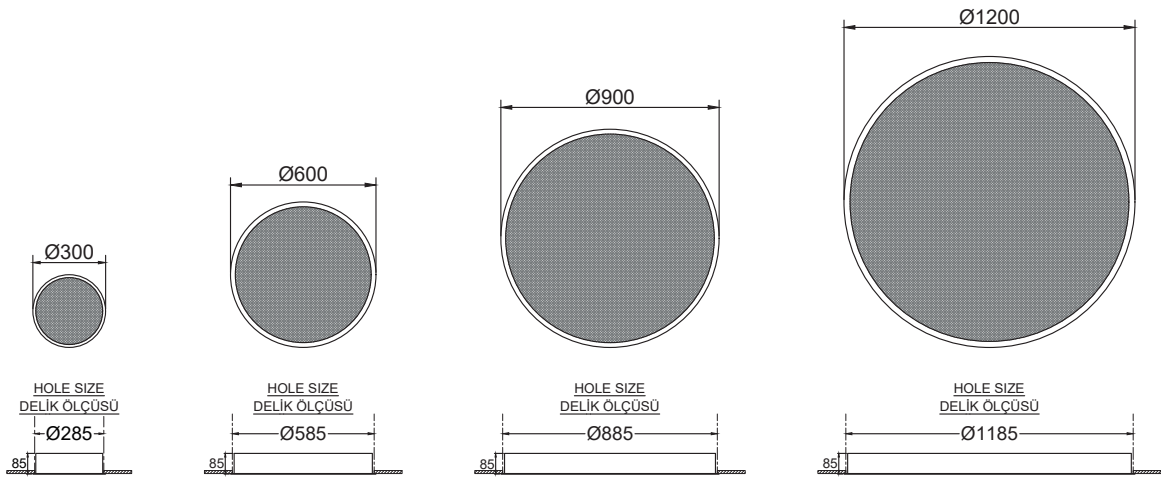


Sıva Altı Armatürler

Recessed Luminaires



Code	Lumen lm	Kelvin K	Watt W	CRI	IP	V/Hz	Size(mm) Dış çap	Hole size (mm) Delik ölçüsü	Installation depth Montaj derinliği
SA.300.30	1660	3000	14	Ra>80	20	220-240 50/60	Ø 300mm	Ø 285mm	Min. 110mm
SA.300.40	1780	4000	14	Ra>80	20				
SA.600.30	3070	3000	24	Ra>80	20	220-240 50/60	Ø 600mm	Ø 585mm	Min. 110mm
SA.600.40	3190	4000	24	Ra>80	20				
SA.900.30	4480	3000	34	Ra>80	20	220-240 50/60	Ø 900mm	Ø 885mm	Min. 110mm
SA.900.40	4600	4000	34	Ra>80	20				
SA.1200.30	5890	3000	44	Ra>80	20	220-240 50/60	Ø 1200mm	Ø 1185mm	Min. 110mm
SA.1200.40	6010	4000	44	Ra>80	20				

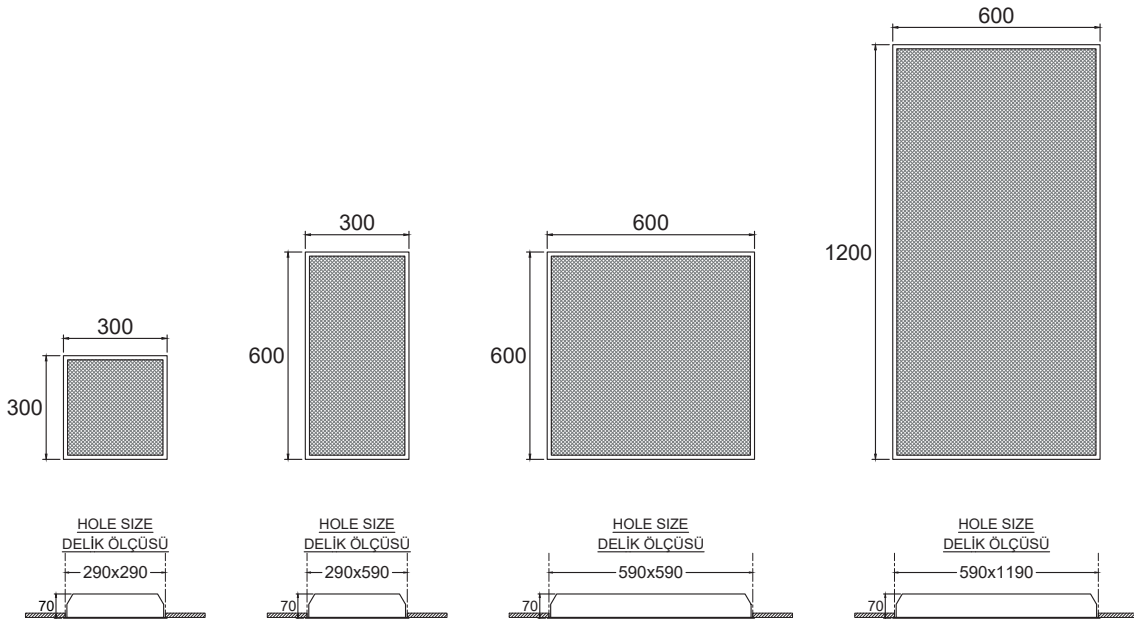


Sıva Altı Armatürler

Recessed Luminaires

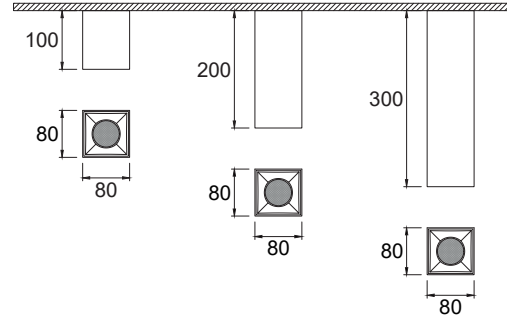


Code	Lumen lm	Kelvin K	Watt W	CRI	IP	V/Hz	Size(mm) Dış çap	Hole size (mm) Delik ölçüsü	Installation depth Montaj derinliği
SA.SD.300.300.30	1660	3000	16	Ra>80	20	220-240 50/60	300x300mm	290x290mm	Min. 100mm
SA.SD.300.300.40	1780	4000	16	Ra>80	20				
SA.SD.300.600.30	3320	3000	26	Ra>80	20	220-240 50/60	300x600mm	290x590mm	Min. 100mm
SA.SD.300.600.40	3320	4000	26	Ra>80	20				
SA.SD.600.600.30	4320	3000	36	Ra>80	20	220-240 50/60	600x600mm	590x590mm	Min. 100mm
SA.SD.600.600.40	4320	4000	36	Ra>80	20				
SA.SD.600.1200.30	5850	3000	64	Ra>80	20	220-240 50/60	600x1200mm	590x1190mm	Min. 100mm
SA.SD.600.1200.40	5850	4000	64	Ra>80	20				

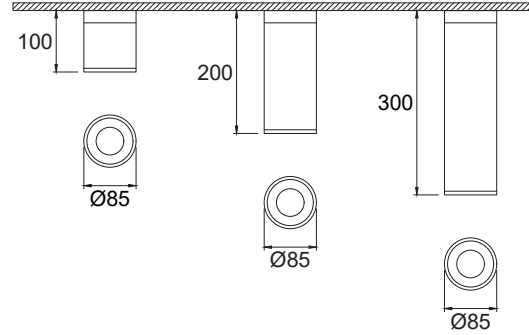


Sıva Üstü Spot

Surface Mounted Spotlights



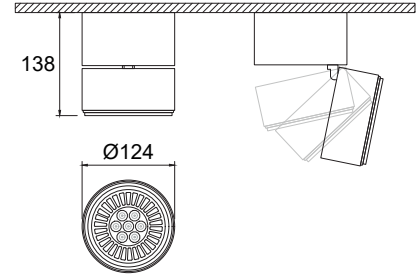
Code	Lumen lm	Kelvin K	Watt W	Beam angle β	CRI	IP	V/Hz	Size(mm)	Height(mm) Yükseklik
SUS.80.80.100.27	350	2700	5	36°	Ra>85	20/65	220-240 50/60	80x80mm	100mm
SUS.80.80.100.30	350	3000	5	36°	Ra>85	20/65			
SUS.80.80.200.27	350	2700	5	36°	Ra>85	20/65	220-240 50/60	80x80mm	200mm
SUS.80.80.200.30	350	3000	5	36°	Ra>85	20/65			
SUS.80.80.300.27	350	2700	5	36°	Ra>85	20/65	220-240 50/60	80x80mm	300mm
SUS.80.80.300.30	350	3000	5	36°	Ra>85	20/65			



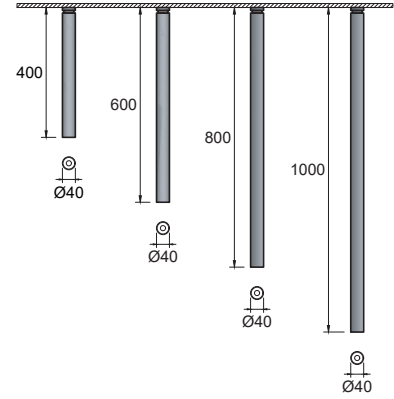
Code	Lumen lm	Kelvin K	Watt W	Beam angle β	CRI	IP	V/Hz	Diameter(mm) Çap	Height(mm) Yükseklik
SUS.85.100.27	350	2700	5	36°	Ra>85	20/65	220-240 50/60	Ø85mm	100mm
SUS.85.100.30	350	3000	5	36°	Ra>85	20/65			
SUS.85.200.27	350	2700	5	36°	Ra>85	20/65	220-240 50/60	Ø85mm	200mm
SUS.85.200.30	350	3000	5	36°	Ra>85	20/65			
SUS.85.300.27	350	2700	5	36°	Ra>85	20/65	220-240 50/60	Ø85mm	300mm
SUS.85.300.30	350	3000	5	36°	Ra>85	20/65			

Sıva Üstü Spot

Surface Mounted Spotlights



Code	Lumen lm	Kelvin K	Watt W	Beam angle β	CRI	IP	V/Hz
SUS.124.100.27	900	2700	12	24°	Ra>90	20	220-240 50/60
SUS.124.100.30	900	3000	12	24°	Ra>90	20	



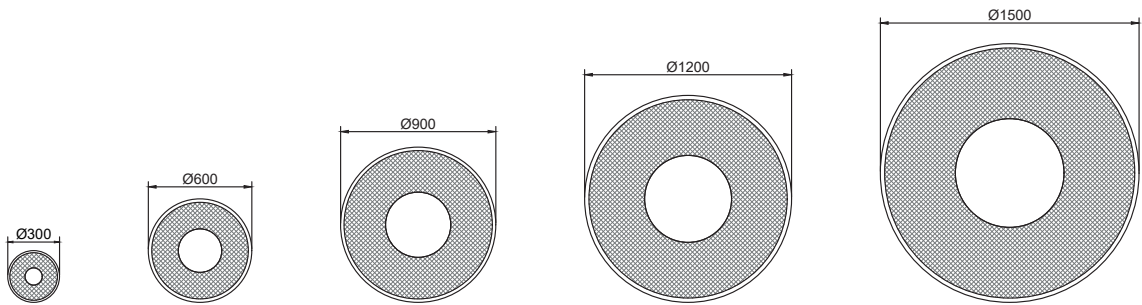
Code	Lumen lm	Kelvin K	Watt W	CRI	IP	V/Hz	Diameter(mm) Çap	Height(mm) Yükseklik
SUS.40.400.30	144	3000	1.2	Ra>80	20	220-240 50/60	Ø40mm	400mm
SUS.40.400.40	162	4000	1.2	Ra>80	20			
SUS.40.600.30	144	3000	1.2	Ra>80	20	220-240 50/60	Ø40mm	600mm
SUS.40.600.40	162	4000	1.2	Ra>80	20			
SUS.40.800.30	144	3000	1.2	Ra>80	20	220-240 50/60	Ø40mm	800mm
SUS.40.800.40	162	4000	1.2	Ra>80	20			
SUS.40.1000.30	144	3000	1.2	Ra>80	20	220-240 50/60	Ø40mm	1000mm
SUS.40.1000.40	162	4000	1.2	Ra>80	20			

Sıva Üstü Armatürler

Surface Mounted Luminaires



Code	Lumen lm	Kelvin K	Watt W	CRI	IP	V/Hz	Diameter (mm) Çap
SU.P.300.30	1360	3000	10	Ra>80	20	220-240 50/60	Ø300mm
SU.P.300.40	1480	4000	10	Ra>80	20		
SU.P.600.30	2720	3000	20	Ra>80	20	220-240 50/60	Ø600mm
SU.P.600.40	2840	4000	20	Ra>80	20		
SU.P.900.30	4080	3000	30	Ra>80	20	220-240 50/60	Ø900mm
SU.P.900.40	4200	4000	30	Ra>80	20		
SU.P.1200.30	5440	3000	40	Ra>80	20	220-240 50/60	Ø1200mm
SU.P.1200.40	5560	4000	40	Ra>80	20		
SU.P.1500.30	6800	3000	50	Ra>80	20	220-240 50/60	Ø1500mm
SU.P.1500.40	6920	4000	50	Ra>80	20		

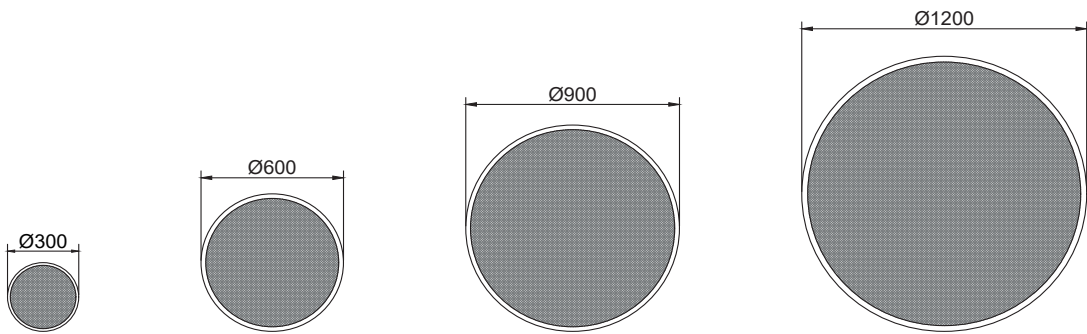


Sıva Üstü Armatürler

Surface Mounted Luminaires

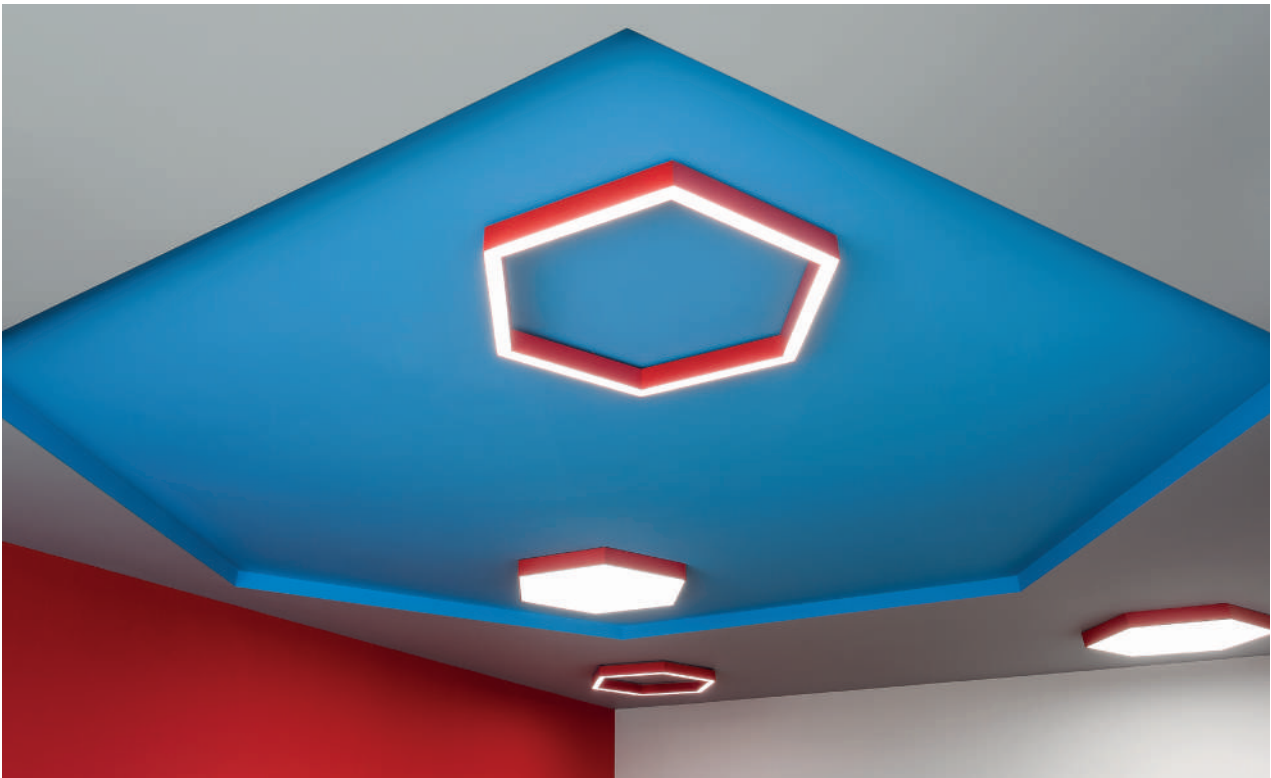


Code	Lumen lm	Kelvin K	Watt W	CRI	IP	V/Hz	Diameter (mm) Çap
SU.300.30	1660	3000	14	Ra>80	20	220-240 50/60	Ø300mm
SU.300.40	1780	4000	14	Ra>80	20		
SU.600.30	3070	3000	24	Ra>80	20	220-240 50/60	Ø600mm
SU.600.40	3190	4000	24	Ra>80	20		
SU.900.30	4480	3000	34	Ra>80	20	220-240 50/60	Ø900mm
SU.900.40	4600	4000	34	Ra>80	20		
SU.1200.30	5890	3000	44	Ra>80	20	220-240 50/60	Ø1200mm
SU.1200.40	6010	4000	44	Ra>80	20		



Sıva Üstü Armatürler

Surface Mounted Luminaires



Sıva Üstü Armatürler
Surface Mounted Luminaires

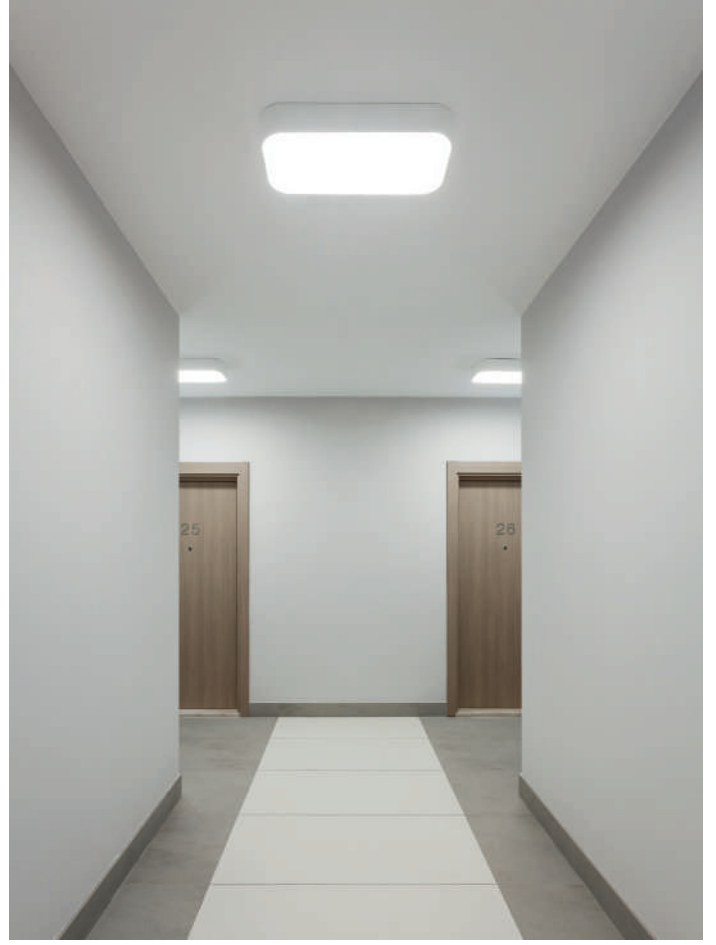


Özel Üretim Sıva Üstü Armatürler
Special Production Surface Mounted Luminaire



Özel Üretim Sıva Üstü Armatürler

Special Production Surface Mounted Luminaire

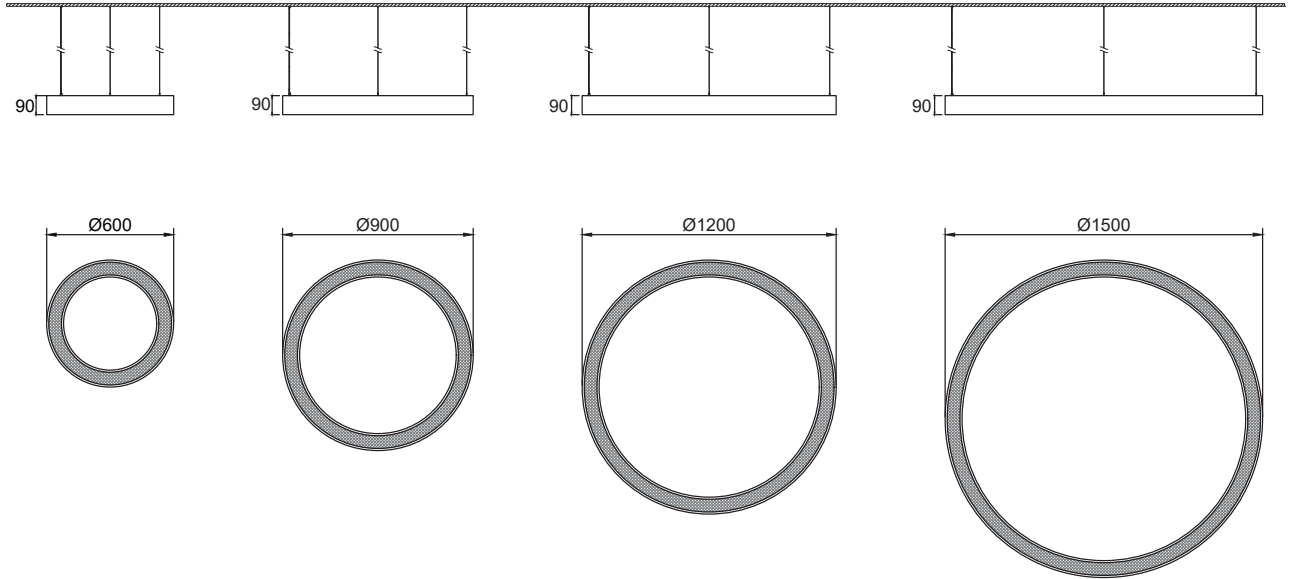


Sarkit Aydınlatma

Pendant Lighting



Code	Lumen lm	Kelvin K	Watt W	CRI	IP	V/Hz	Diameter (mm) Çap
SR.HA.600.30	3740	3000	24	Ra>80	20	220-240 50/60	Ø600mm
SR.HA.600.40	4070	4000	24	Ra>80	20		
SR.HA.900.30	5400	3000	48	Ra>80	20	220-240 50/60	Ø900mm
SR.HA.900.40	5940	4000	48	Ra>80	20		
SR.HA.1200.30	7200	3000	64	Ra>80	20	220-240 50/60	Ø1200mm
SR.HA.1200.40	7920	4000	64	Ra>80	20		
SR.HA.1500.30	9000	3000	80	Ra>80	20	220-240 50/60	Ø1500mm
SR.HA.1500.40	9900	4000	80	Ra>80	20		

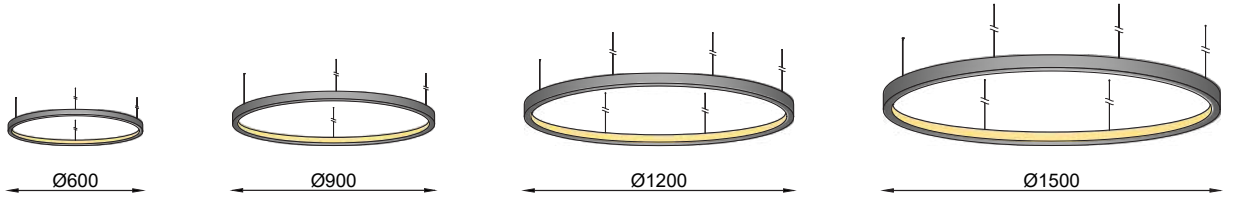


Sarkıt Aydınlatma

Pendant Lighting



Code	Lumen lm	Kelvin K	Watt W	IP	V/Hz	Diameter (mm) Çap	Profile Size (mm) Profil Ölçüsü (mm)
SR.HI.600.50.85.30	3888	3000	32	20	220-240 50/60	Ø600mm	50x85mm
SR.HI.600.50.85.40	4088	4000	32	20			
SR.HI.900.50.85.30	5832	3000	48	20	220-240 50/60	Ø900mm	50x85mm
SR.HI.900.50.85.40	6032	4000	48	20			
SR.HI.1200.50.85.30	7760	3000	64	20	220-240 50/60	Ø1200mm	50x85mm
SR.HI.1200.50.85.40	7960	4000	64	20			
SR.HI.1500.50.85.30	9720	3000	80	20	220-240 50/60	Ø1500mm	50x85mm
SR.HI.1500.50.85.40	9920	4000	80	20			

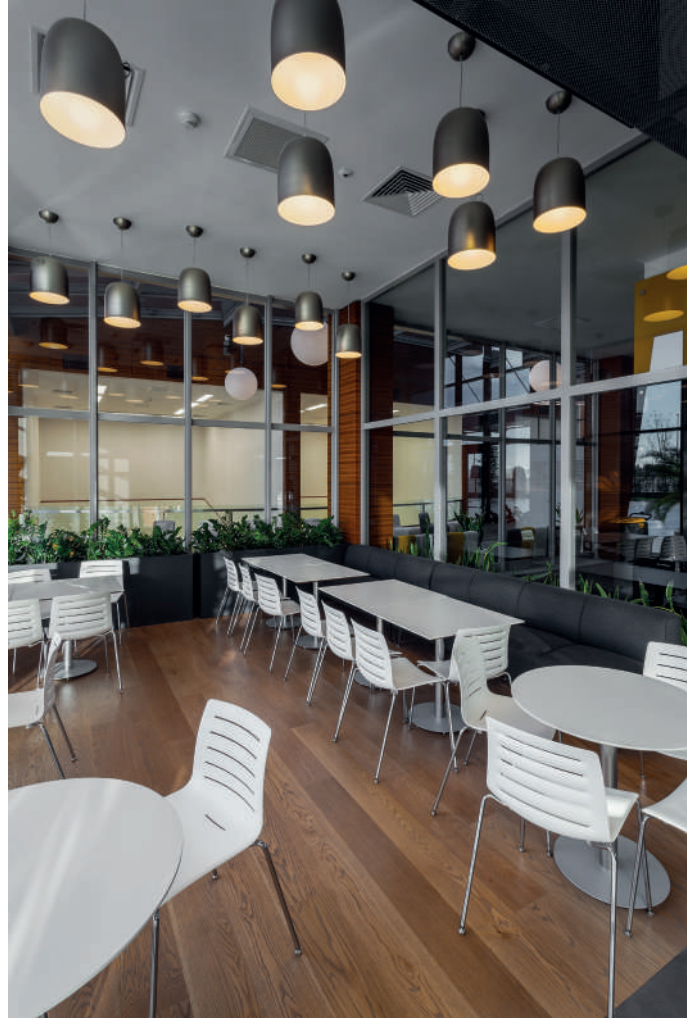


Özel Üretim Sarkıtlar
Special Production Pendant Luminaires



Özel Üretim Sarkıtlar

Special Production Pendant Luminaires



Linear Aydınlatma / Linear Lighting
Sıva Üstü / Surface







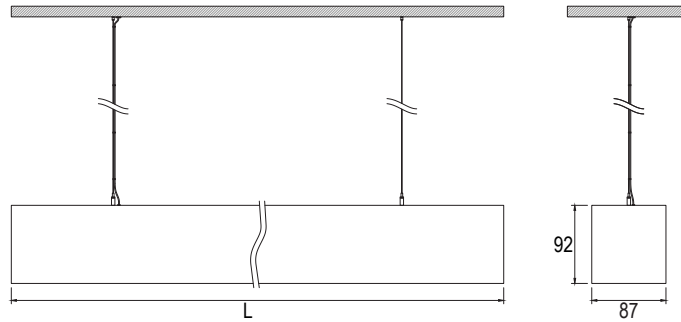


Linear Aydınlatma / Linear Lighting

Sarkit / Pendant



Code	Lumen lm	Kelvin K	Watt W	CRI	IP	V/Hz	Size(mm) L
LN.SR.87.92.1130.30	5200	3000	42.8	Ra>80	20/44	220-240 50/60	1130 mm
LN.SR.87.92.1130.40	5400	4000	42.8	Ra>80	20/44		
LN.SR.87.92.2250.30	10400	3000	85.6	Ra>80	20/44	220-240 50/60	2250 mm
LN.SR.87.92.2250.40	10800	4000	85.6	Ra>80	20/44		
LN.SR.87.92.3370.30	15600	3000	128.4	Ra>80	20/44	220-240 50/60	3370 mm
LN.SR.87.92.3370.40	16200	4000	128.4	Ra>80	20/44		

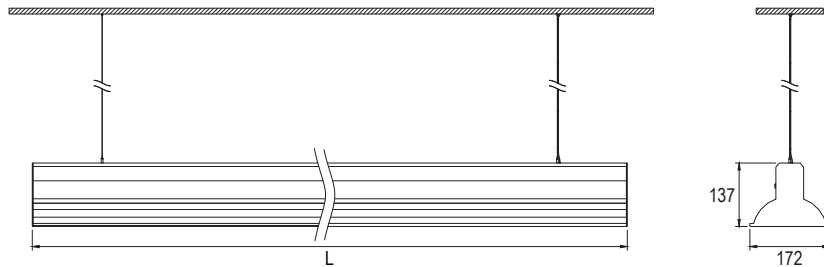


Linear Aydınlatma / Linear Lighting

Sarkit / Pendant



Code	Lumen lm	Kelvin K	Watt W	CRI	IP	Lamp Type	V/Hz	Size(mm) L
LN.SR.1010.16.30	2000	3000	16	Ra>80	20	LED	220-240 50/60	1010mm
LN.SR.1010.16.40	2150	4000	16	Ra>80	20	LED		1010mm
LN.SR.2010.32.30	4000	3000	32	Ra>80	20	LED	220-240 50/60	2010mm
LN.SR.2010.32.40	4150	4000	32	Ra>80	20	LED		2010mm
LN.SR.3010.48.30	6000	3000	48	Ra>80	20	LED	220-240 50/60	3010mm
LN.SR.3010.48.40	6150	4000	48	Ra>80	20	LED		3010mm
LN.SR.1000.36.30	3800	3000	36	Ra>80	20	LED	220-240 50/60	1000mm
LN.SR.1000.36.40	3900	4000	36	Ra>80	20	LED		1000mm
LN.SR.2000.72.30	7600	3000	72	Ra>80	20	LED	220-240 50/60	2000mm
LN.SR.2000.72.40	7700	4000	72	Ra>80	20	LED		2000mm
LN.SR.3000.108.30	11400	3000	108	Ra>80	20	LED	220-240 50/60	3000mm
LN.SR.3000.108.40	11500	4000	108	Ra>80	20	LED		3000mm

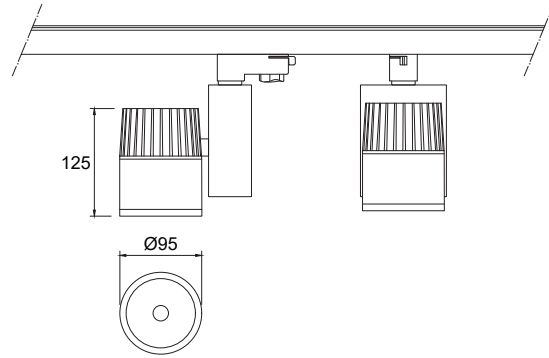


Ray Spotlar ve Raylar

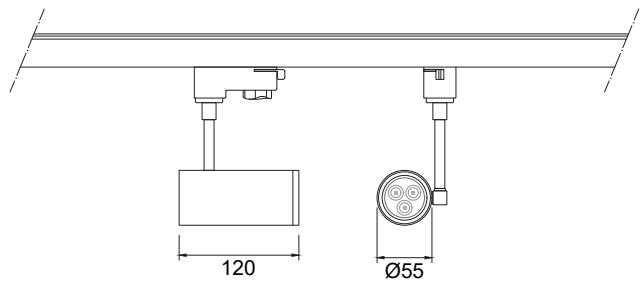
Track Spotlights and Track



Code	Lumen lm	Kelvin K	Watt W	Beam angle β	CRI	IP	V/Hz
RS.95.125.24.30	2800	3000	24	24°/36°/45°	Ra>80	20	220-240 50/60
RS.95.125.24.40	2920	4000	24	24°/36°/45°	Ra>80	20	
RS.95.125.31.30	3640	3000	31	24°/36°/45°	Ra>80	20	220-240 50/60
RS.95.125.31.40	3760	4000	31	24°/36°/45°	Ra>80	20	
RS.95.125.36.30	4480	3000	36	24°/36°/45°	Ra>80	20	220-240 50/60
RS.95.125.36.40	4600	4000	36	24°/36°/45°	Ra>80	20	



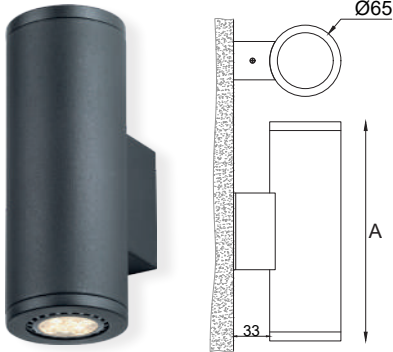
Code	Lumen lm	Kelvin K	Watt W	Beam angle β	CRI	IP	V/Hz
RS.55.120.27	350	2700	5	36°	Ra>80	20	220-240 50/60
RS.55.120.30	350	3000	5	36°	Ra>80	20	



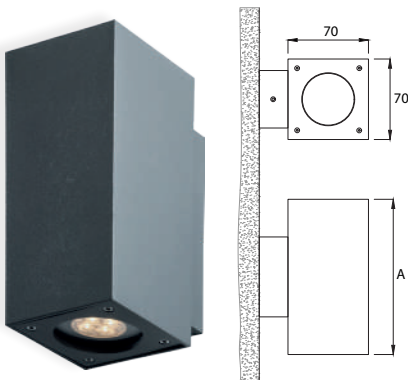


Aplikler / Wall Luminaires

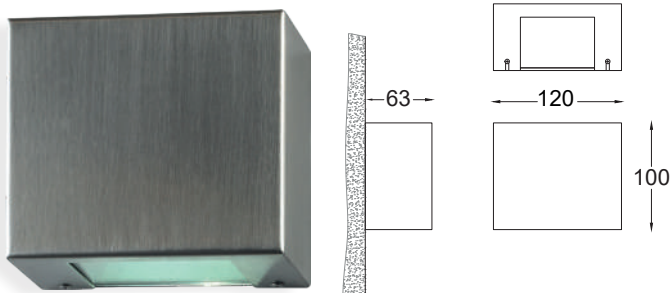
Surface Mounted



Code	Lumen lm	Kelvin K	Watt W	Beam angle β	CRI	IP	V/Hz	Size(mm) A
DA.65.120.2.27	1x350	2700	1x5	36°	Ra>80	20	220-240 50/60	120
DA.65.120.2.30	1x360	3000	1x5	36°	Ra>80	20		
DA.65.150.2.27	2x350	2700	2x5	36°	Ra>80	20	220-240 50/60	150
DA.65.150.2.30	2x360	3000	2x5	36°	Ra>80	20		
DA.65.200.2.27	2x350	2700	2x5	36°	Ra>80	20	220-240 50/60	200
DA.65.200.2.30	2x360	3000	2x5	36°	Ra>80	20		



Code	Lumen lm	Kelvin K	Watt W	Beam angle β	CRI	IP	V/Hz	Size(mm) A
DA.70.70.120.27	1x350	2700	1x5	36°	Ra>80	20	220-240 50/60	120
DA.70.70.120.30	1x360	3000	1x5	36°	Ra>80	20		
DA.70.70.150.27	2x350	2700	2x5	36°	Ra>80	20	220-240 50/60	150
DA.70.70.150.30	2x360	3000	2x5	36°	Ra>80	20		



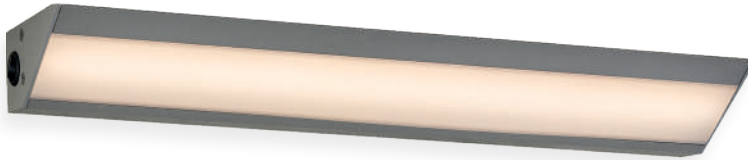
Code	Lumen lm	Kelvin K	Watt W	CRI	IP	V/Hz
DA.120.100.30	2x144	3000	2x1.2	Ra>80	20	220-240 50/60
DA.120.100.40	2x182	4000	2x1.2	Ra>80	20	

Özel Üretim Aplikler
Special Production Wall Luminaire



Dolap Altı Aydınlatma

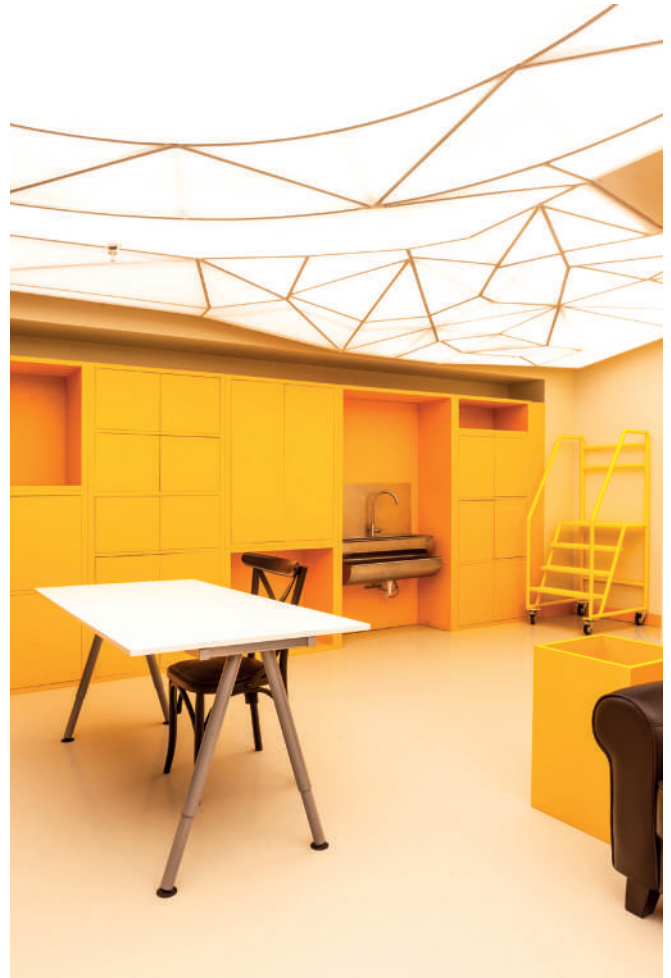
Under Cabinet Lighting

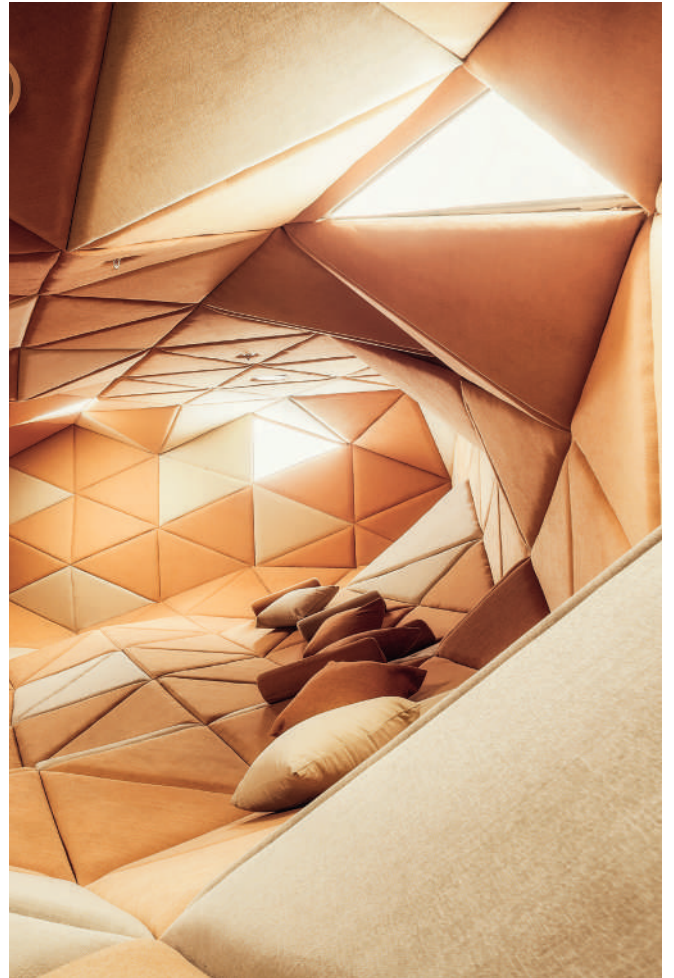


Dolap Altı Aydınlatma

Under Cabinet Lighting

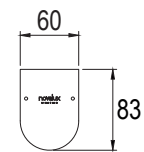
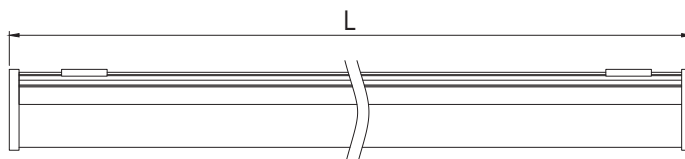


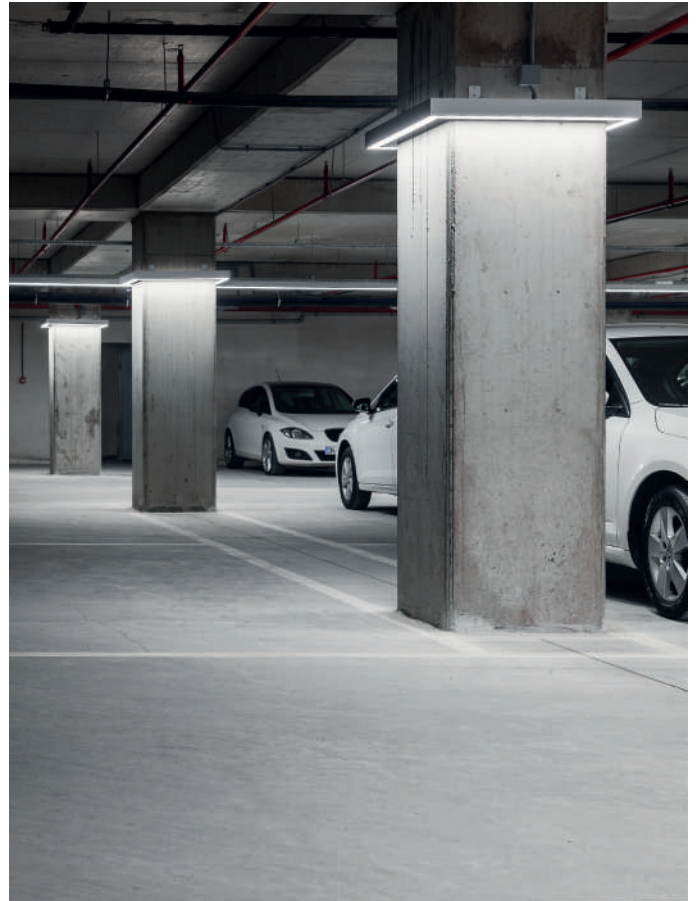






Code	Lumen lm	Kelvin K	Watt W	CRI	IP	Lamp Type	V/Hz	Size(mm) L
AE.1010.16.30	2000	3000	16	Ra>80	65	LED	220-240 50/60	1010mm
AE.1010.16.40	2150	4000	16	Ra>80	65	LED		1010mm
AE.2010.32.30	4000	3000	32	Ra>80	65	LED	220-240 50/60	2010mm
AE.2010.32.40	4150	4000	32	Ra>80	65	LED		2010mm
AE.3010.48.30	6000	3000	48	Ra>80	65	LED	220-240 50/60	3010mm
AE.3010.48.40	6150	4000	48	Ra>80	65	LED		3010mm
AE.1000.36.30	3800	3000	36	Ra>80	65	LED	220-240 50/60	1000mm
AE.1000.36.40	3900	4000	36	Ra>80	65	LED		1000mm
AE.2000.72.30	7600	3000	72	Ra>80	65	LED	220-240 50/60	2000mm
AE.2000.72.40	7700	4000	72	Ra>80	65	LED		2000mm
AE.3000.108.30	11400	3000	108	Ra>80	65	LED	220-240 50/60	3000mm
AE.3000.108.40	11500	4000	108	Ra>80	65	LED		3000mm



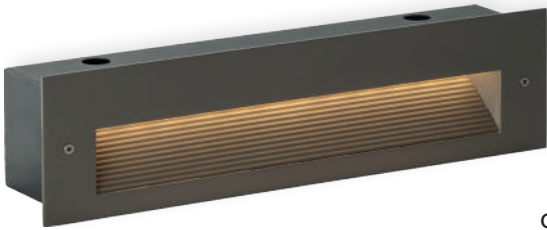
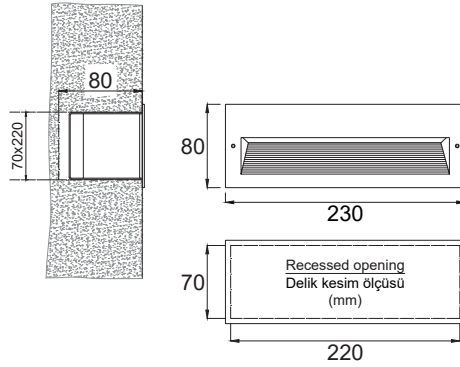


Sıva Altı Aplikler

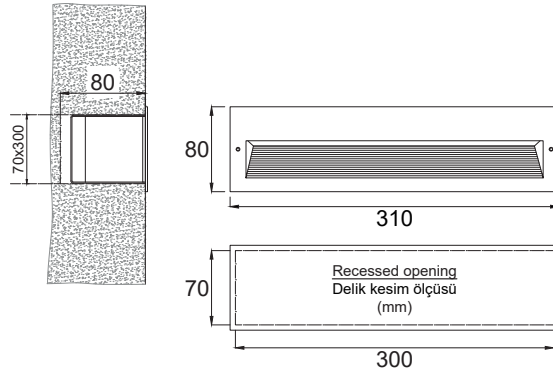
Recessed Wall Luminaires



Code	Lumen lm	Kelvin K	Watt W	CRI	IP	V/Hz	Recessed opening Delik kesim ölçüsü
HA.SA.80.230.30	790	3000	5	Ra>80	54	220-240 50/60	70x220x80 mm
HA.SA.80.230.40	840	4000	5	Ra>80	54		



Code	Lumen lm	Kelvin K	Watt W	CRI	IP	V/Hz	Recessed opening Delik kesim ölçüsü
HA.SA.80.310.30	1192	3000	7.75	Ra>80	54	220-240 50/60	70x300x80 mm
HA.SA.80.310.40	1232	4000	7.75	Ra>80	54		



Sıva Altı Aplikler
Recessed Wall Luminaires

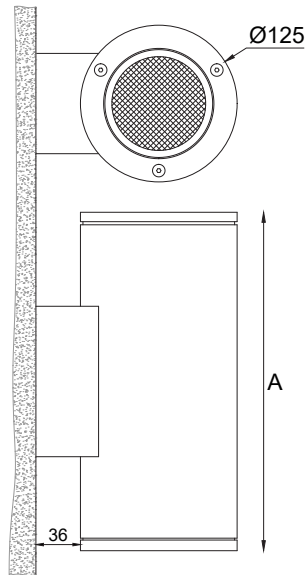


Sıva Üstü Aplikler

Wall-Surface Mounted Luminaires



Code	Lumen lm	Kelvin K	Watt W	Beam angle β	CRI	IP	V/Hz	Size(mm) A
HA.125.200.27	1x950	2700	1X12	36°	Ra>80	65		
HA.125.200.30	1x1000	3000	1X12	36°	Ra>80	65	220-240 50/60	200
HA.125.200.40	1x1045	4000	1X12	36°	Ra>80	65		
HA.125.300.27	2x950	2700	2X12	36°	Ra>80	65		
HA.125.300.30	2x1000	3000	2X12	36°	Ra>80	65	220-240 50/60	300
HA.125.300.40	2x1045	4000	2X12	36°	Ra>80	65		



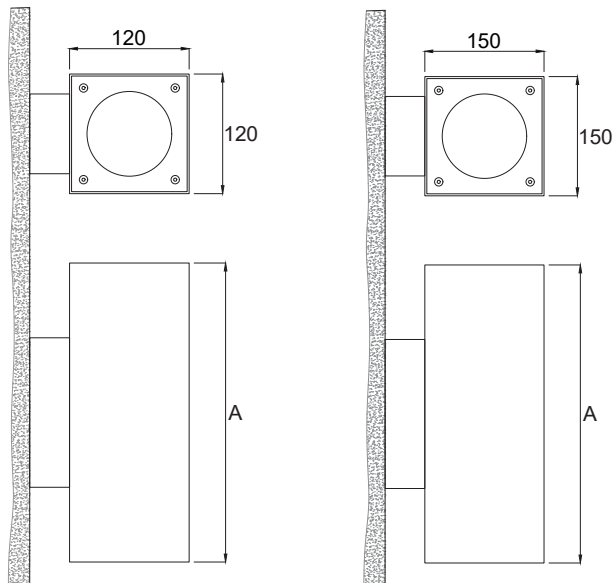
Sıva Üstü Aplikler

Wall-Surface Mounted Luminaires



Code	Lumen lm	Kelvin K	Watt W	Beam angle β	CRI	IP	V/Hz	Size(mm) A
HA.120.120.200.27	1x950	2700	1X12	36°	Ra>80	65	220-240 50/60	200
HA.120.120.200.30	1x1000	3000	1X12	36°	Ra>80	65		
HA.120.120.200.40	1x1045	4000	1X12	36°	Ra>80	65		
HA.120.120.300.27	2x950	2700	2X12	36°	Ra>80	65	220-240 50/60	300
HA.120.120.300.30	2x1000	3000	2X12	36°	Ra>80	65		
HA.120.120.300.40	2x1045	4000	2X12	36°	Ra>80	65		

Code	Lumen lm	Kelvin K	Watt W	Beam angle β	CRI	IP	V/Hz	Size(mm) A
HA.150.150.200.27	1x950	2700	1x12	36°	Ra>80	65	220-240 50/60	200
HA.150.150.200.30	1x1000	3000	1x12	36°	Ra>80	65		
HA.150.150.300.27	2x950	2700	2x12	36°	Ra>80	65	220-240 50/60	300
HA.150.150.300.30	2x1000	3000	2x12	36°	Ra>80	65		





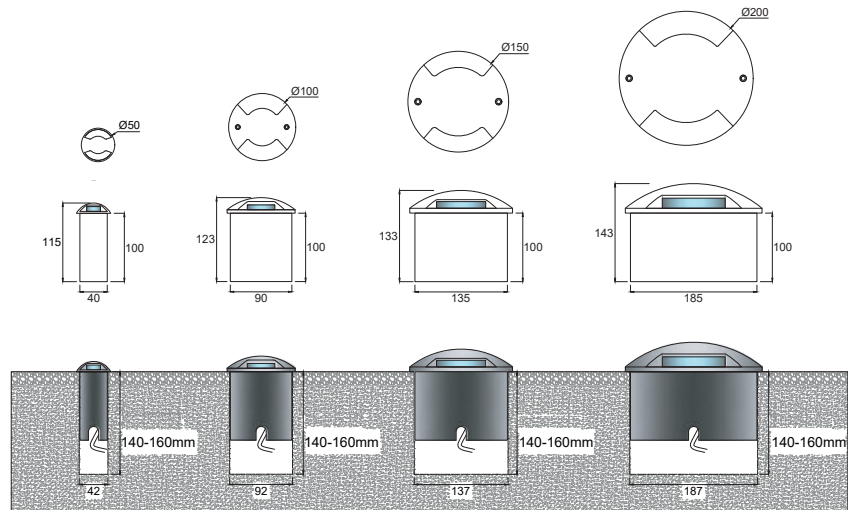


Yere Gömme Armatürler

In-Ground Luminaires

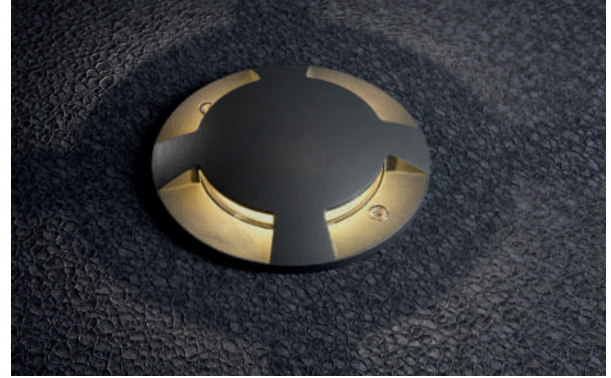


Code	Lumen lm	Kelvin K	Watt W	CRI	IP	V/Hz	Diameter Çap	Hole size(mm) Delik çapı	Installation depth Montaj derinliği	Pressure load Basınç yükü
YG.50.100.D.27	2x144	2700	2x1.2	Ra>80	67	220-240 50/60	Ø50	Ø42	140-160mm	4000kg
YG.50.100.D.30	2x162	3000	2x1.2	Ra>80	67					
YG.50.100.D.40	2x180	4000	2x1.2	Ra>80	67					
YG.100.100.D.27	2x144	2700	2x1.2	Ra>80	67	220-240 50/60	Ø100	Ø92	140-160mm	4000kg
YG.100.100.D.30	2x162	3000	2x1.2	Ra>80	67					
YG.100.100.D.40	2x180	4000	2x1.2	Ra>80	67					
YG.150.100.D.27	2x177	2700	2x1.6	Ra>80	67	220-240 50/60	Ø150	Ø137	140-160mm	4000kg
YG.150.100.D.30	2x184	3000	2x1.6	Ra>80	67					
YG.150.100.D.40	2x190	4000	2x1.6	Ra>80	67					
YG.200.100.D.27	2x240	2700	2x2.2	Ra>80	67	220-240 50/60	Ø200	Ø187	140-160mm	4000kg
YG.200.100.D.30	2x280	3000	2x2.2	Ra>80	67					
YG.200.100.D.40	2x330	4000	2x2.2	Ra>80	67					

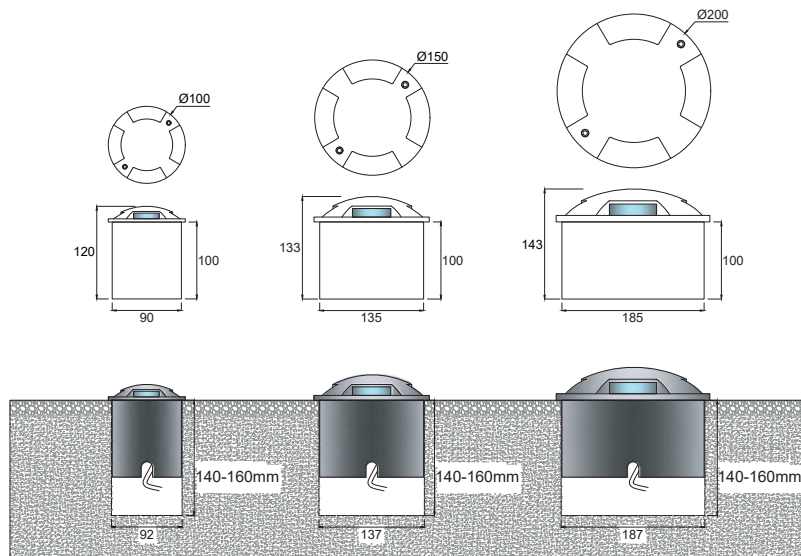


Yere Gömme Armatürler

In-Ground Luminaires



Code	Lumen lm	Kelvin K	Watt W	CRI	IP	V/Hz	Diameter Çap	Hole size(mm) Delik çapı	Installation depth Montaj derinliği	Pressure load Basınç yükü
YG.100.100.F.27	4x144	2700	4x1.2	Ra>80	67	220-240 50/60	Ø100	Ø92	140-160mm	4000kg
YG.100.100.F.30	4x162	3000	4x1.2	Ra>80	67					
YG.100.100.F.40	4x180	4000	4x1.2	Ra>80	67					
YG.150.100.F.27	4x177	2700	4x1.6	Ra>80	67	220-240 50/60	Ø150	Ø137	140-160mm	4000kg
YG.150.100.F.30	4x184	3000	4x1.6	Ra>80	67					
YG.150.100.F.40	4x190	4000	4x1.6	Ra>80	67					
YG.200.100.F.27	4x240	2700	4x2.2	Ra>80	67	220-240 50/60	Ø200	Ø187	140-160mm	4000kg
YG.200.100.F.30	4x280	3000	4x2.2	Ra>80	67					
YG.200.100.F.40	4x330	4000	4x2.2	Ra>80	67					

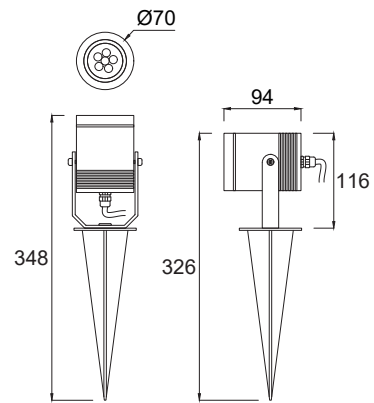


Yapı ve Bahçe Projektörleri

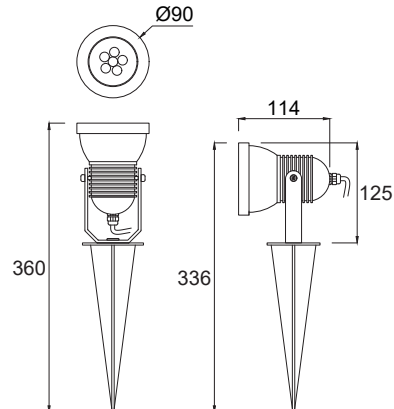
Floodlights For The House and The Garden



Code	Lumen lm	Kelvin K	Watt W	Beam angle β	Lamp	CRI	IP	V/Hz
PZJ.70.94.27	350	2700	5	36°	LED	Ra>80	65	
PZJ.70.94.30	350	3000	5	36°	LED	Ra>80	65	
PZJ.70.94.GR		GREEN	5	36°	LED	Ra>80	65	220-240 50/60
PZJ.70.94.BL		BLUE	5	36°	LED	Ra>80	65	
PZJ.70.94.RE		RED	5	36°	LED	Ra>80	65	



Code	Lumen lm	Kelvin K	Watt W	Lamp	CRI	IP	V/Hz
PZJ.90.114.30	582	3000	5	LED	Ra>80	65	
PZJ.90.114.40	684	4000	5	LED	Ra>80	65	
PZJ.90.114.GR		GREEN	5	LED	Ra>80	65	220-240 50/60
PZJ.90.114.BL		BLUE	5	LED	Ra>80	65	
PZJ.90.114.RE		RED	5	LED	Ra>80	65	

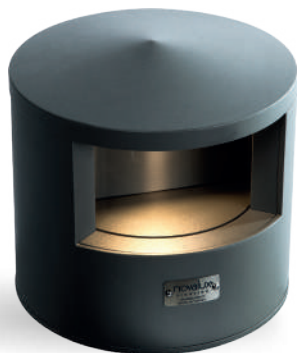


Yapı ve Bahçe Projektörleri
Floodlights For The House and The Garden





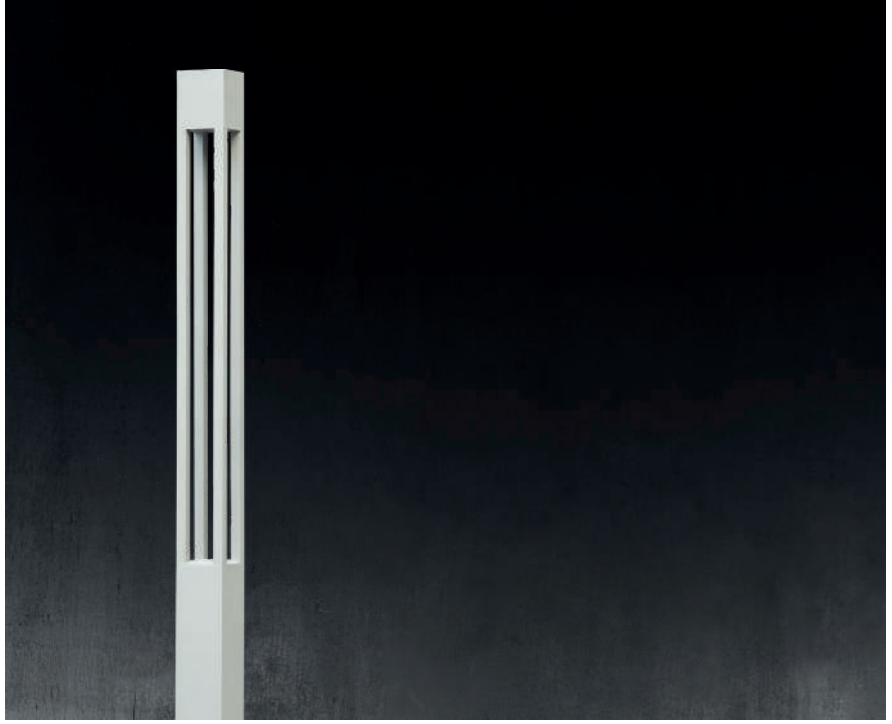






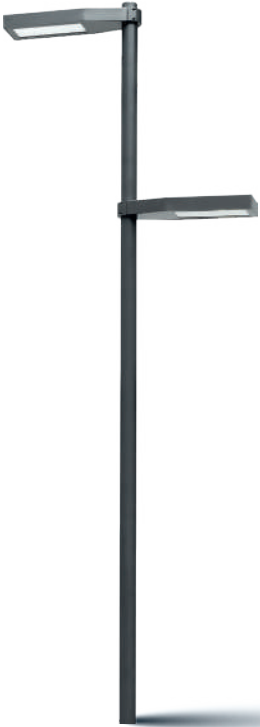














Yurtiçi
Referanslarımızdan Bazıları



novalux®
LIGHTING

Novatron®



Defterdar Mah. Otakçılar Cad. Has-On İş Merkezi
No: 70/A 34050 Eyüp / İstanbul - TÜRKİYE



+90 212 613 36 86



info@novalux.com.tr



novalux.com.tr